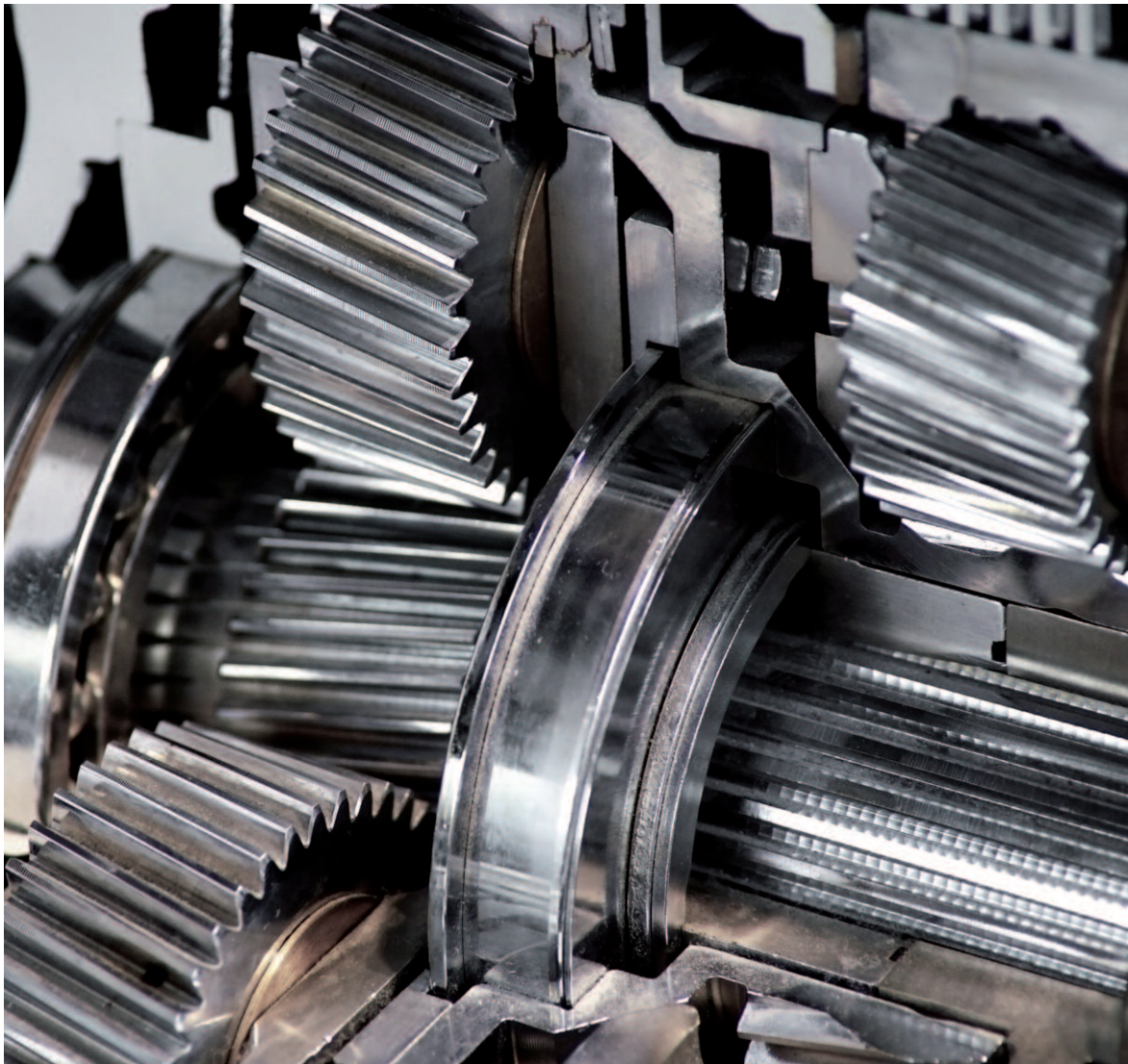


# RINGSPANN® in Industrial Gears and Geared Motors

Power Transmission Components and Clamping Fixtures







RINGSPANN Benelux B.V., Netherlands



RINGSPANN GmbH, Germany  
Headquarter and Plant Power Transmission



RINGSPANN GmbH, Germany  
Plant Clamping Fixtures



RINGSPANN RCS GmbH, Germany  
Plant Remote Control Systems



RINGSPANN Nordic AB, Sweden



RINGSPANN (U.K.) LTD., Great Britain



SIAM-RINGSPANN S.A., France



RINGSPANN IBERICA S.A., Spain



RINGSPANN AG, Switzerland



RINGSPANN Italia S.r.l., Italy



RINGSPANN CORPORATION, USA



RINGSPANN Power Transmission  
(Tianjin) Co., Ltd., China



RINGSPANN Transmission  
Components (Pty) Ltd., South Africa



RINGSPANN Power Transmission  
India Pvt. Ltd., India

### Headquarters

Bad Homburg, Germany

### Founded

1944

### International companies

13

### Manufacturing plants

6

### Employees

450

### Product range

Power Transmission  
Clamping Fixtures  
Remote Control Systems

### Company profile

Innovative achievements have made RINGSPANN a leading manufacturer for Power Transmission Components, Clamping Fixtures and Remote Control Systems. Many well-known companies from the machine building, the material handling, the energy as well as the aerospace industries successfully work with RINGSPANN. With more than 70 years' experience in development, design and manufacturing, we are experts in intelligent technical solutions.

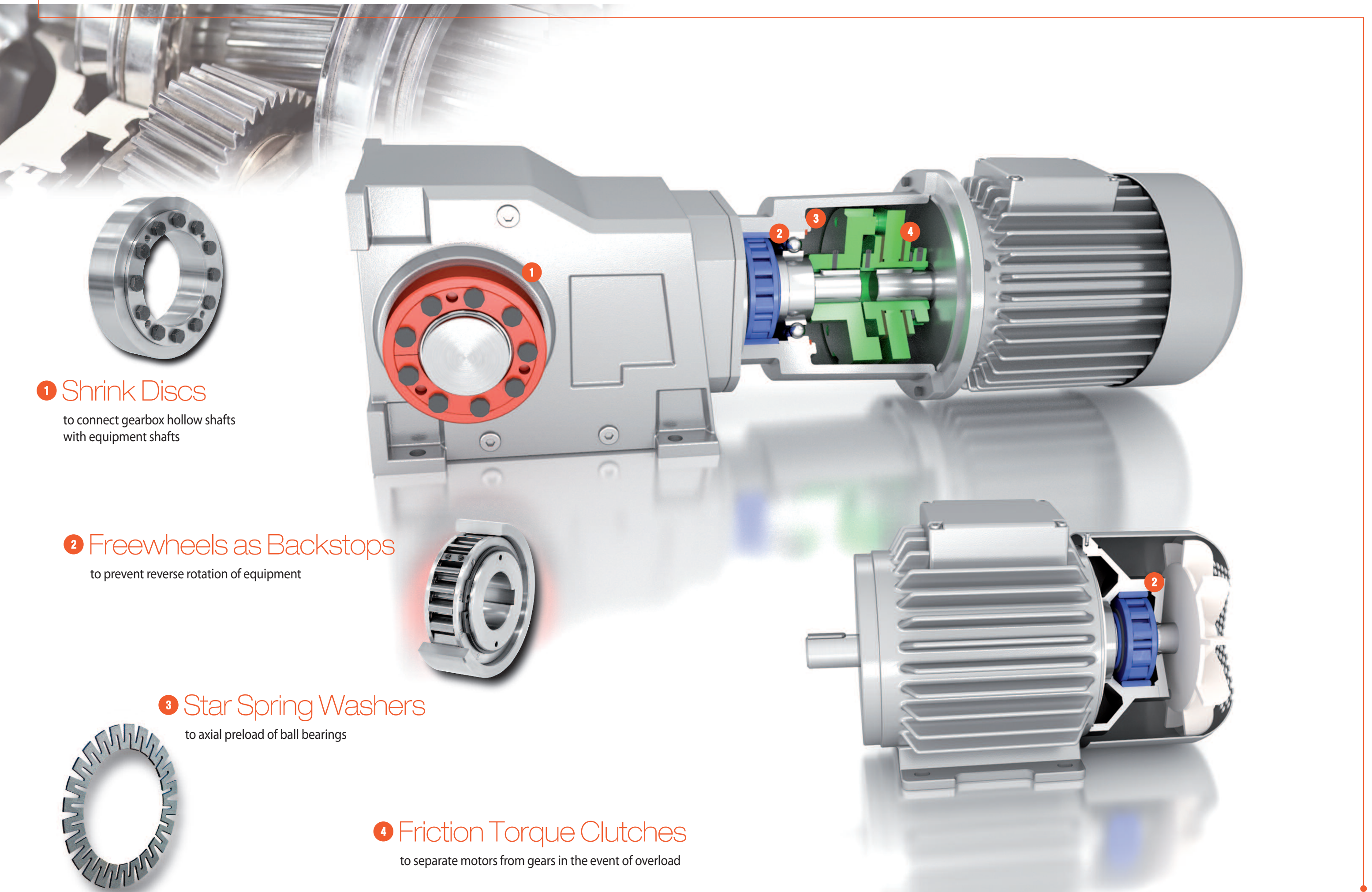
From our headquarters in Bad Homburg, Germany, 450 employees in 13 international companies provide personal service onsite and ensure speedy and reliable delivery. Manufacturing plants in the most important regions of the world make flexible and customer-orientated production possible.

Customer service is close to our heart; we want you to continue to choose RINGSPANN.

### Key

- Company
- Manufacturing plant
- Sales partner





## 1 Shrink Discs

to connect gearbox hollow shafts with equipment shafts

## 2 Freewheels as Backstops

to prevent reverse rotation of equipment

## 3 Star Spring Washers

to axial preload of ball bearings

## 4 Friction Torque Clutches

to separate motors from gears in the event of overload



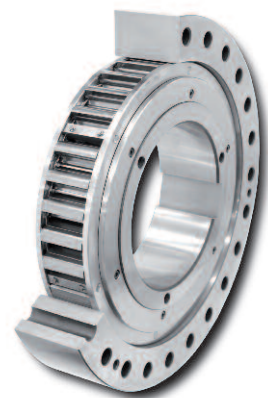
## 1 Shrink Discs

to connect gearbox hollow shafts  
with equipment shafts



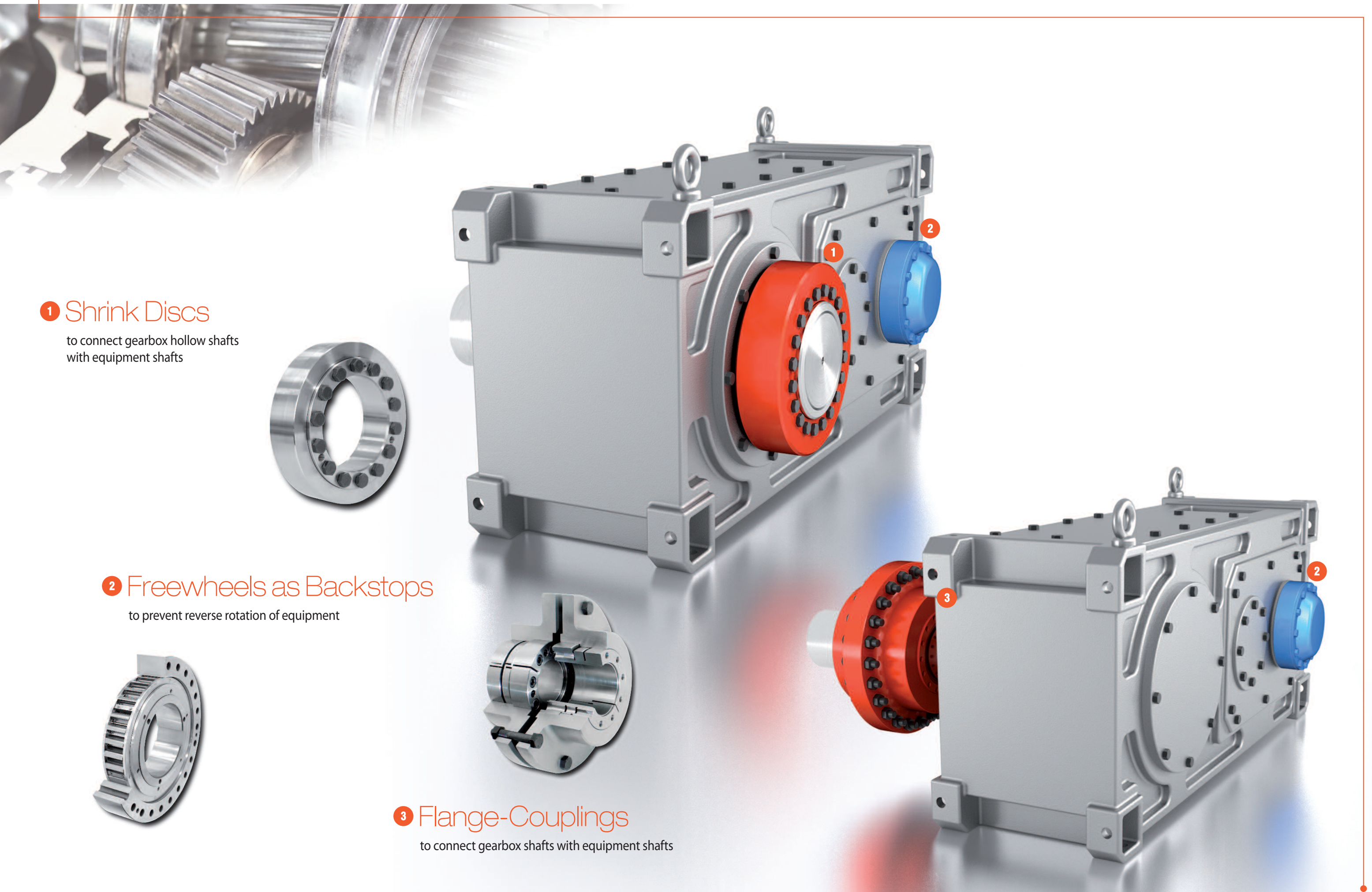
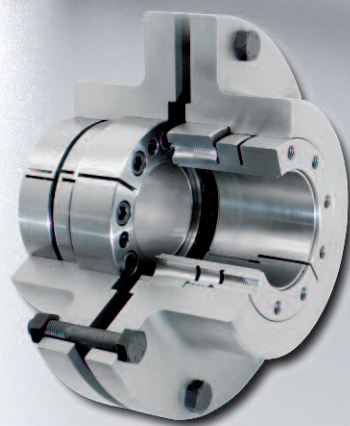
## 2 Freewheels as Backstops

to prevent reverse rotation of equipment



## 3 Flange-Couplings

to connect gearbox shafts with equipment shafts







## 1 Shrink Discs

to connect gearbox hollow shafts with equipment shafts

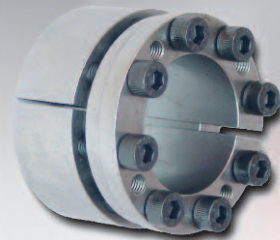
## 2 Freewheels as Backstops

to prevent reverse rotation of equipment



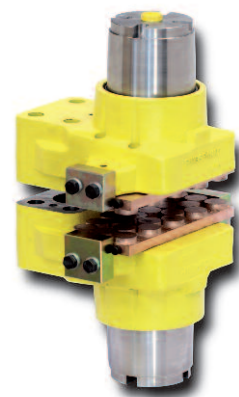
## 3 Cone Clamping Elements

to connect brake discs with equipment shafts



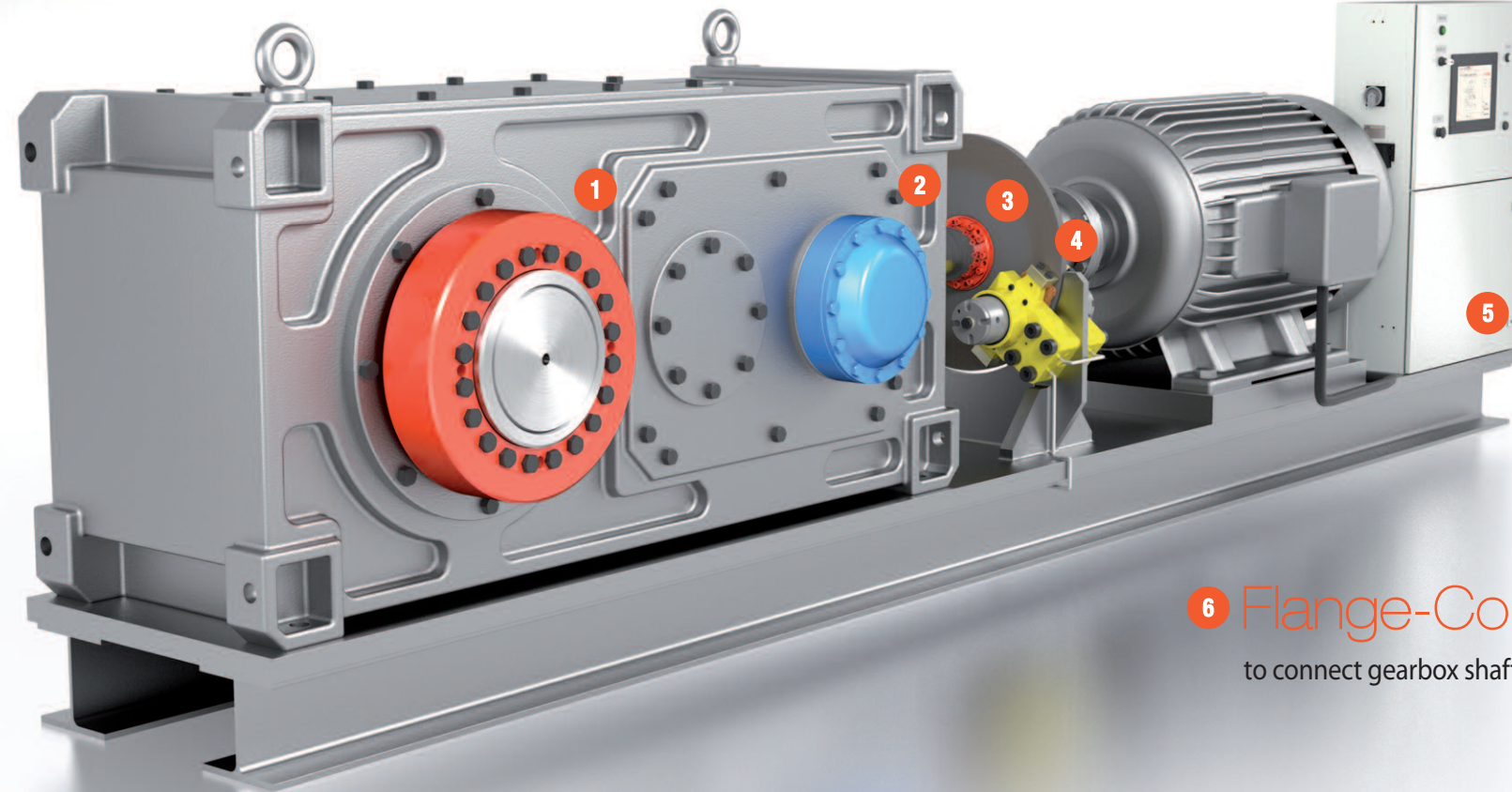
## 4 Brakes

for braking and holding of equipment



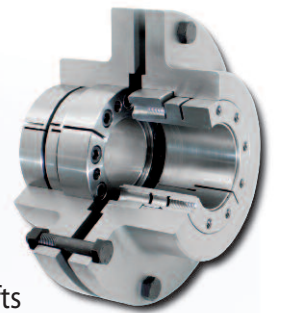
## 5 Control Systems

for controlled braking



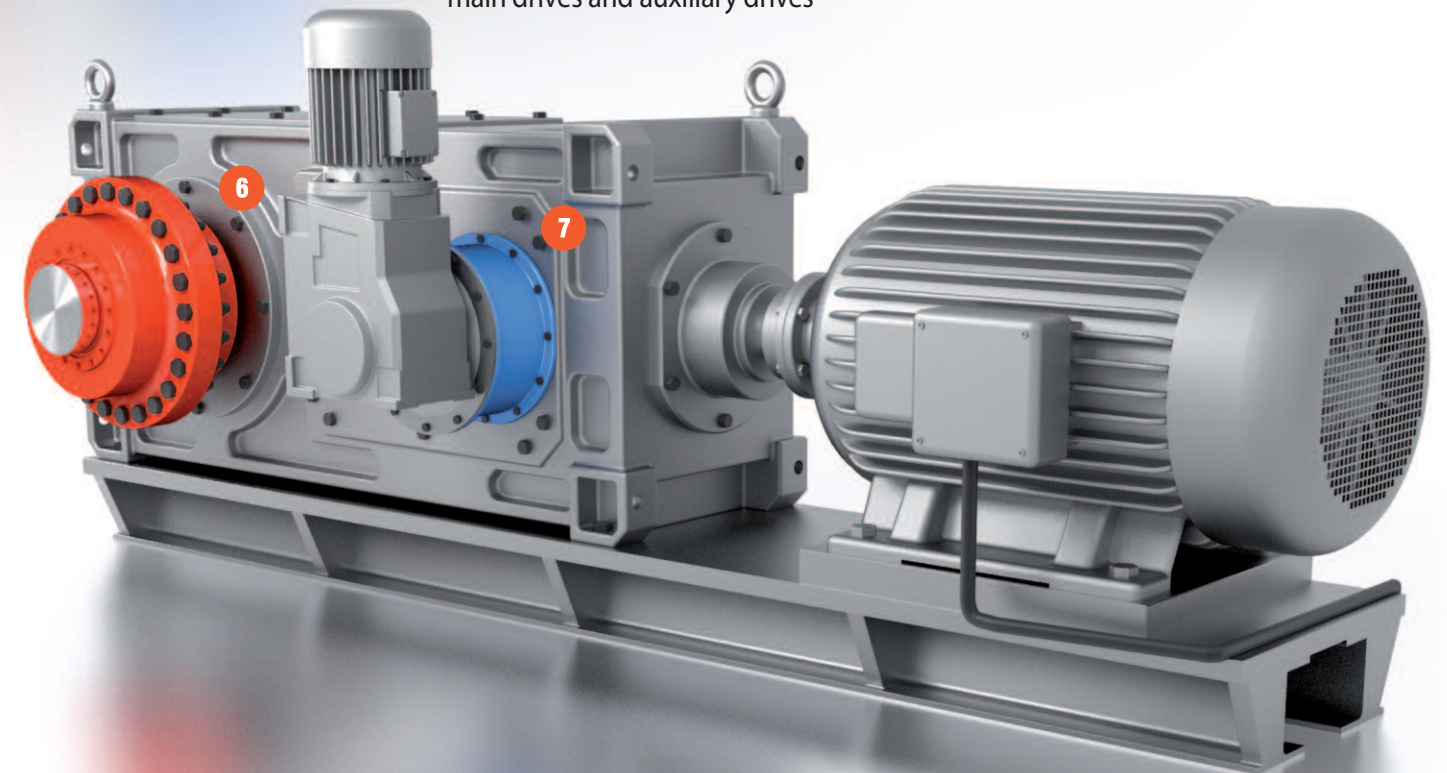
## 6 Flange-Couplings

to connect gearbox shafts with equipment shafts



## 7 Freewheels as Overrunning Clutches

for automatic engagement and disengagement of main drives and auxiliary drives

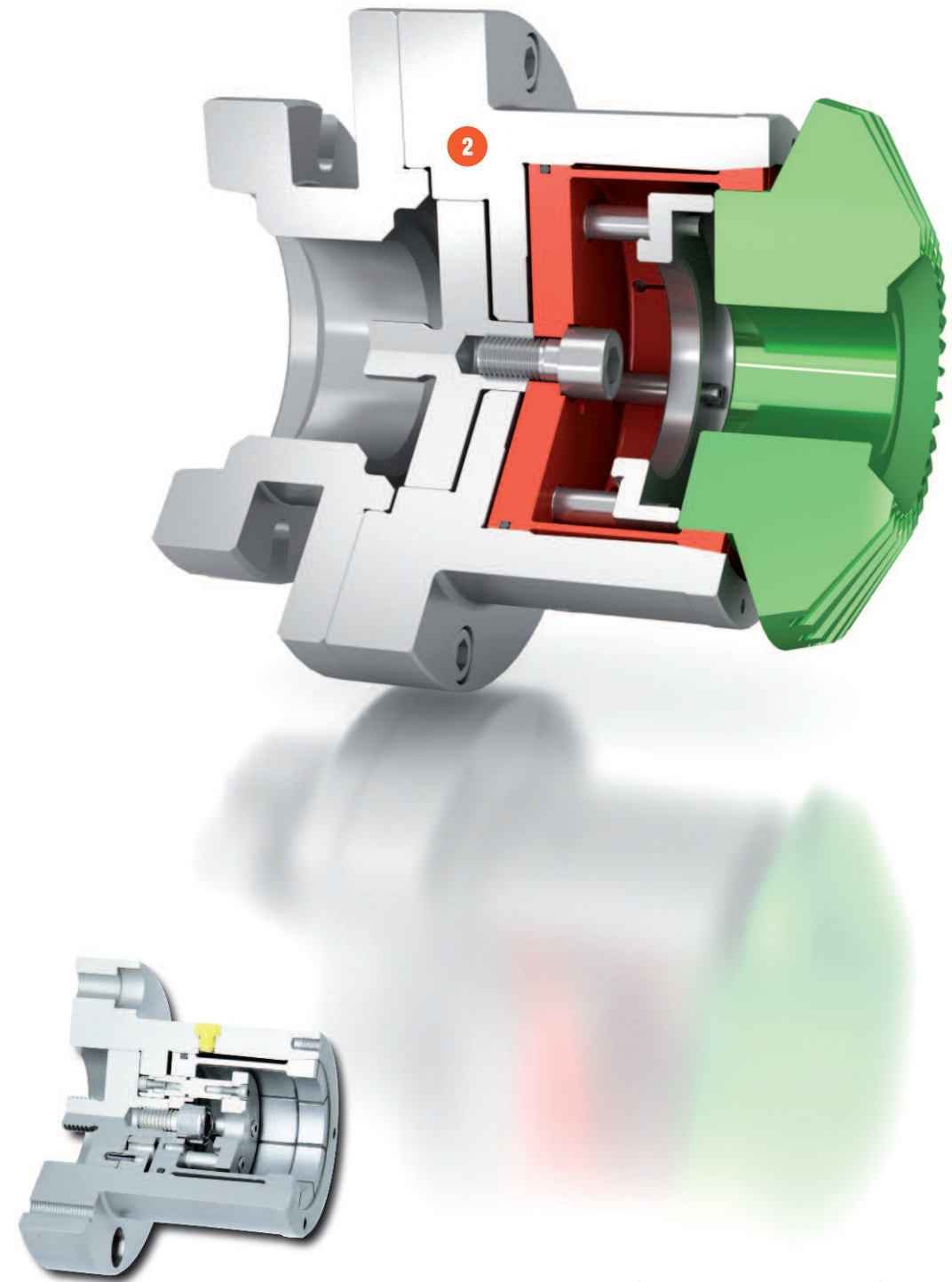
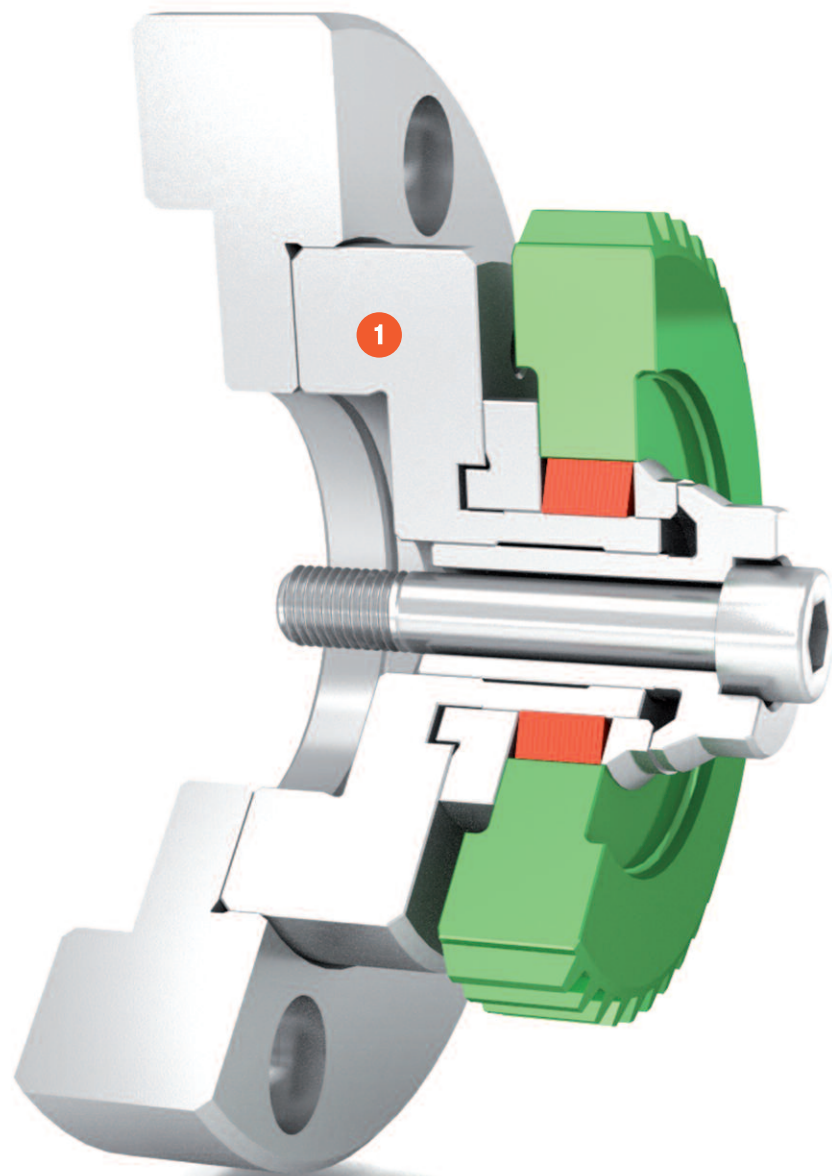
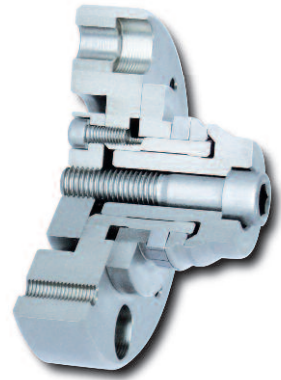






## 1 Precision Clamping Mandrels

to clamp gear wheels or gear parts  
on inside diameters



## 2 Precision Clamping Chucks

to clamp gear wheels or gear parts  
on outside diameters

## Germany

**RINGSPANN GmbH**  
Schaberweg 30-38  
61348 Bad Homburg  
Germany  
+49 61 72 275 0  
info@ringspann.de  
www.ringspann.com

**RINGSPANN RCS GmbH**  
Hans-Mess-Straße 7  
61440 Oberursel  
Germany  
+49 61 72 67 68 50  
info@ringspann-rcs.de  
www.ringspann-rcs.com

Sweden, Finland,  
Denmark, Norway,  
Baltic states

**RINGSPANN Nordic AB**  
Industrigatan 7  
61933 Trosa  
Sweden  
+46 156 190 98  
info@ringspann.se  
www.ringspann.se

## France

**SIAM - RINGSPANN S.A.**  
23 rue Saint-Simon  
69009 Lyon  
France  
+33 4 78 83 59 01  
info@siam-ringspann.fr  
www.ringspann.fr

Netherlands, Belgium,  
Luxembourg

**RINGSPANN Benelux B.V.**  
Nieuwenkampsmaten 6-15  
7472 De Goor  
Netherlands  
+31 547 26 13 55  
info@ringspann.nl  
www.ringspann.nl

## Switzerland

**RINGSPANN AG**  
Sumpfstrasse 7  
6300 Zug  
Switzerland  
+41 41 748 09 00  
info@ringspann.ch  
www.ringspann.ch

## Great Britain, Ireland

**RINGSPANN (U.K.) LTD.**  
3, Napier Road  
Bedford MK41 0QS  
Great Britain  
+44 1234 3425 11  
info@ringspann.co.uk  
www.ringspann.co.uk

Austria, Hungary,  
Slovenia

Edmayr Antriebstechnik GmbH  
Thalham 20  
4880 St. Georgen  
Austria  
+43 7667 68 40  
office@edmayr.at  
www.ringspann.com

## Spain, Portugal

**RINGSPANN IBERICA S.A.**  
C/Uzbina, 24-Nave E1  
01015 Vitoria  
Spain  
+34 945 22 77-50  
info@ringspann.es  
www.ringspann.es

## Italy

**RINGSPANN Italia S.r.l.**  
V.le A. De Gasperi, 31  
20020 Lainate (MI)  
Italy  
+39 02 93 57 12 97  
info@ringspann.it  
www.ringspann.it

## Poland

RADIUS-RADPOL sp.j.  
Wiecheć, Labacki  
ul. Kolejowa 16b  
60 185 Skórzewo  
Poland  
+48 61 814 39 28  
info@radius-radpol.com.pl  
www.radiusradpol.pl

Czech Republic,  
Slovakia

Ing. Petr Schejbal  
Mezivrší 1444/27  
147 00 Praha  
Czech Republic  
+420 222 96 90 22  
Petr.Schejbal@ringspann.cz  
www.ringspann.com

## Asia

## Australia, New Zealand

Kempower Pty. Ltd.  
6 Phoenix Court, Braeside  
3195 Victoria  
Australia  
+61 3 95 87 90 33  
dirk@imtec-kempower.com.au  
www.imtec-kempower.com.au

## China, Taiwan

**RINGSPANN Power Transmission  
(Tianjin) Co., Ltd.**  
No. 21 Gaoyan Rd.  
Binhai Science and Technology Park  
Binhai Hi-Tech Industrial  
Development Area  
Tianjin, 300458  
P.R. China  
+86 22 59 80 31 60  
info.cn@ringspann.cn  
www.ringspann.cn

## India, Bangladesh, Nepal

**RINGSPANN Power Transmission  
India Pvt. Ltd.**  
GAT No: 679/2/1  
Village Kuruli, Taluka Khed  
Chakan-Alandi Road  
Pune - 410501  
India  
+91 21 35 67 75 00  
info@ringspann-india.com  
www.ringspann-india.com

## Singapore, ASEAN

RINGSPANN Office  
Arthur Low  
1 Scotts Road  
#21-10 Shaw Centre  
Singapore 228208  
+65 96 33 66 92  
Arthur.Low@ringspann.com  
www.ringspann.com

## America

## Brazil

Antares Acoplamentos Ltda.  
Rua Evaristo de Antoni, 1222  
Caxias do Sul, RS  
CEP 95041-000  
Brazil  
+55 54 32 18 68 00  
cristiano@antaresacoplamentos.com.br  
www.antaresacoplamentos.com.br

## Egypt

Shofree Trading Co.  
218 - emtedad Ramsis (2)  
2775 Nasr City Cairo  
Egypt  
+20 2 2081 2057  
info@shofree.com  
www.ringspann.com

## Algeria, Morocco, Tunisia

**SIAM - RINGSPANN S.A.**  
23 rue Saint-Simon  
69009 Lyon  
France  
+33 4 78 83 59 01  
info@siam-ringspann.fr  
www.ringspann.fr

## Iran

Rastan Felez Taha Eng Trading Co (RFT)  
Unit No. 8  
461, North Kargar Avenue  
Tehran postal code 1413683164  
Iran  
+98 21 88 00 94 35  
info@rftrft.com  
www.ringspann.com

USA, Canada, Mexico,  
Chile, Peru

**RINGSPANN Corporation**  
10550 Anderson Place  
Franklin Park, IL 60131  
U.S.A.  
+1 847 678 35 81  
info@ringspanncorp.com  
www.ringspanncorp.com

## Israel

G.G. Yarom Rolling and Conveying Ltd.  
6, Hamaktesh Str.  
58810 Holon  
Israel  
+972 3 557 01 15  
noam\_a@gg.co.il  
www.ringspann.com

## South Africa, Sub-Saharan

**RINGSPANN Transmission  
Components (Pty) Ltd.**  
96 Plane Road Spartan  
Kempton Park  
P.O. Box 8111 Edenglen 1613  
South Africa  
+27 11 394 18 30  
info@ringspann.co.za  
www.ringspann.co.za